

**Digital Undercounter
 Refrigerated Counter Saladette - 250lt, 2
 Doors with lid and chopping board
 (R290)**

ITEM # _____

MODEL # _____

NAME # _____

SIS # _____

AIA # _____


725107 (SAL25L2C9)

 2-door refrigerated
 Saladette with lid and
 chopping board 250lt, +2+10°
 C, AISI 304

Short Form Specification

Item No. _____

Constructed entirely in 304 AISI stainless steel. High-density expanded polyurethane foam, 45 mm in thickness, with cyclopentane injection. Height-adjustable feet. Hinged lid on top. Lower refrigerated compartment designed to accommodate GN 1/1 containers and equipped with N. 2 hinged doors. Built-in refrigeration unit. Ventilated. Refrigerant R290. Digital control panel. Automatic evaporation of defrost water. Suitable to operate in ambient temperatures up to +43°C. Temperature range: 0+10°C. CFC and HCFC free. Supplied with n.9 horizontal container supports and n.1 non-toxic plastic chopping board.

Main Features

- Forced air circulation for rapid cooling and an even temperature distribution.
- Automatic evaporation of defrost water. Prearrangement for drain outlet.
- Digital control panel.
- Equipped with hinged lid for non-operating periods.
- Anti-tilt runners accept GN 1/1 containers.
- A kit of wheels is available as optional accessory for easier movement.
- Adjustable temperature range from 0°C to +10°C.
- Tropicalized unit.

Construction

- IPX3 protected.
- Adjustable feet 66-88 mm (see optional accessory).
- Built-in compressor to suit operating conditions.
- Constructed from AISI 304 Stainless steel throughout to meet the highest hygiene standards.
- Developed and produced in ISO 9001 and ISO 14001 certified factory.
- Mounted on legs with height adjustment.
- Rounded internal corners for ease of cleaning.
- Easy removable lid without any tools.
- Access to all components from the front.

Sustainability

- CFC and HCFC free, highly ecological refrigerant type: R290 (ecological gas in foam: cyclopentane). Hydrocarbon refrigerant gas R290 for the lowest environmental impact (GWP=3), to reduce green house and ozone depletion effects.
- 50 mm insulation for energy saving.

Optional Accessories

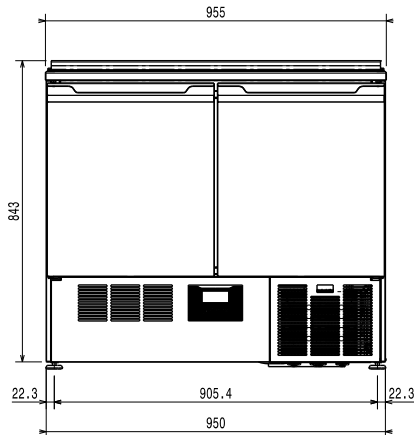
- Kit 4 wheels for 250lt refrigerated counter, saladette PNC 880267
- Feet to reach 900mm height for 250lt saladette PNC 881254
- 1/1GN grey rilsan grid PNC 881435

Recommended Detergents

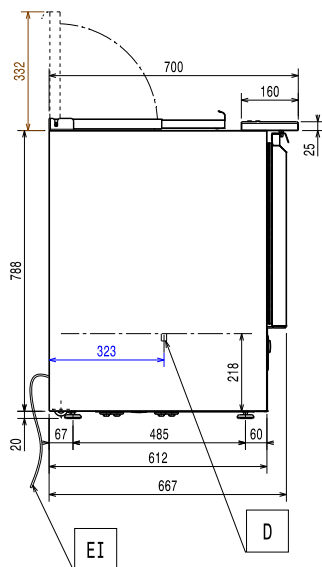
- S01 STAINLESS STEEL SURFACE POLISHER; 6 BOTTLES X 750ML C/T PNC 0S2881
- S05 - MULTIPURPOSE DEGREASER; 6PCS X 750ML; ADR&IMDG Limited Quantity PNC 0S3257

APPROVAL: _____

Front

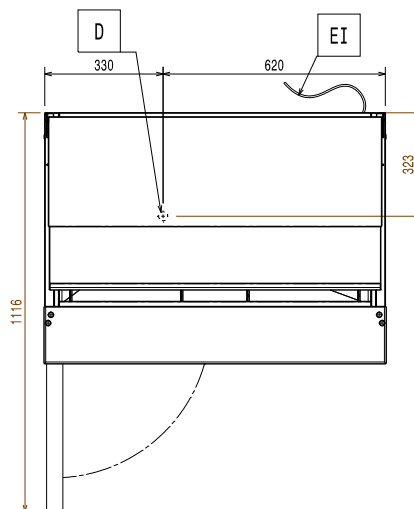


Side



EI = Electrical inlet (power)

Top


Electric

Supply voltage: 220-240 V/1 ph/50 Hz

Key Information:
Built-in Compressor and Refrigeration Unit

Door hinges:

External dimensions, Width: 950 mm

External dimensions, Depth: 700 mm

External dimensions, Height: 863 mm

Depth with doors open: 1120 mm

Refrigeration Data

Compressor power: 1/4 hp

ISO Certificates

ISO Standards: ISO 9001; ISO 14001; ISO 45001; ISO 50001

Sustainability

Refrigerant type: R290

Refrigeration power: 314 W

Refrigerant weight (unit 1): 50 g